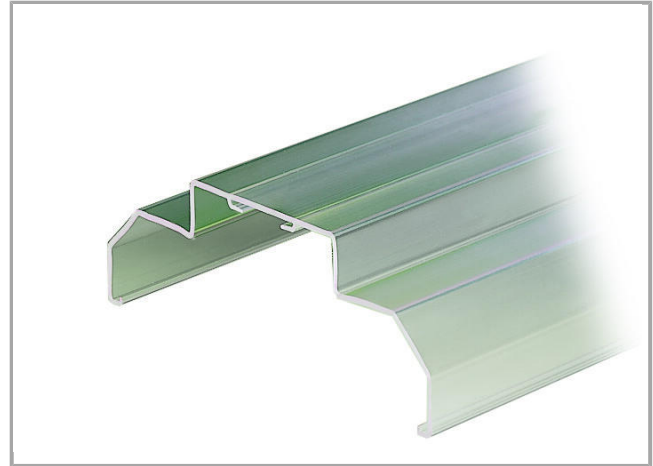
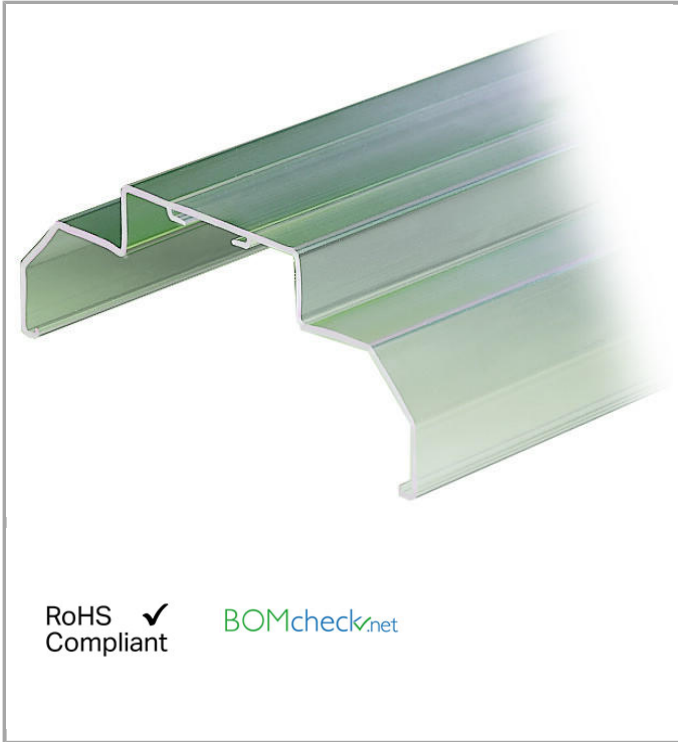


Data sheet | Item number: 709-154

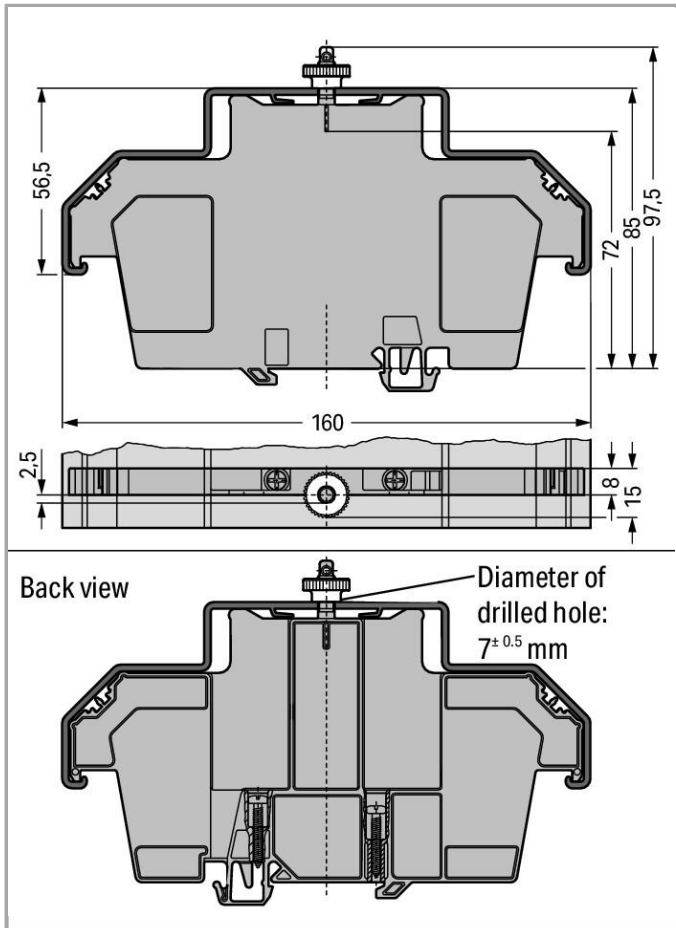
Cover; Type 2; suitable for cover carrier, type 2; 1 m long

709-154



RoHS 
Compliant

[BOMcheck.net](https://www.bomcheck.net)



Data

Technical Data

Main product function

Mounting Accessories

Geometrical Data

Abmessungen B x H x T (mm) (1000 x 56.5 x 160) mm

Abmessungen B x H x T (inch) (39.37 x 2.224 x 6.299) inch

Width 1,000 mm / 39.37 inch

Height 56.5 mm / 2.224 inch

Depth 160 mm / 6.299 inch

Material Data

Weight 600 g

Commercial data

Product Group 2 (Terminal Block Accessories)

Country of origin DE

GTIN	4017332360647
Customs Tariff No.	39169010900

Compatible products

Marking accessories



Item no.: 709-183

Marking strips; for laser printer

709-183

assembling



Item no.: 209-196

Spare fixing/retaining screw; for cover

209-196



Item no.: 210-549

Spare knurled nut; for cover

210-549



Item no.: 709-168

Cover carrier; Type 2; incl. fixing/retaining screws and knurled nut; suitable for 283 to 285 Series rail-mounted terminal blocks; suitable for 279 to 281 Series double- and triple-deck terminal blocks; suitable for 780 to 785, 775, 776 and 777 Series TOPJOB® rail-mounted terminal blocks; suitable for 280 Series sensor and actuator terminal blocks; suitable for 282 Series disconnect/test terminal blocks for transformer circuits

709-168

Downloads

Documentation

Bid Text

709-154	doc 24.1 kB	Download
---------	----------------	----------

CAD/CAE - Smart Data

CAD data

3D Download 709-154	URL	Download
---------------------	-----	----------

Subject to changes.